

# CURB AND GUTTER

## NOTES:

1. UNTREATED BASE COURSE: PROVIDE MATERIAL SPECIFIED IN APWA SECTION 02060. DO NOT USE GRAVEL OR SEWER ROCK. PLACE PER APWA SECTION 02322. COMPACT PER APWA SECTION 02324 TO A MODIFIED PROCTOR DENSITY OF 95-PERCENT OR GREATER. MAXIMUM LIFT THICKNESS IS 8-INCHES BEFORE COMPACTION.

2. DIMENSION: FOR CURB AND GUTTER WITH FLOWLINE GRADES GREATER THAN 0.5 PERCENT ( $S = 0.005$ ) ROADBASE DIMENSION IS 6 INCHES. FOR CURB AND GUTTER WITH FLOWLINE GRADES LESS THAN 0.5 PERCENT ROADBASE DIMENSION IS 8 INCHES.

3. CONCRETE: CLASS 4000 PER APWA SECTION 03304. PLACE PER APWA SECTION 02770. CURE PER APWA SECTION 03390.

A. IF NECESSARY, PROVIDE CONCRETE THAT ACHIEVES DESIGN STRENGTH IN LESS THAN 7 DAYS. USE CAUTION, HOWEVER, AS SPIDER CRACKS DEVELOP IF AIR TEMPERATURE EXCEEDS 90 DEGREES F.

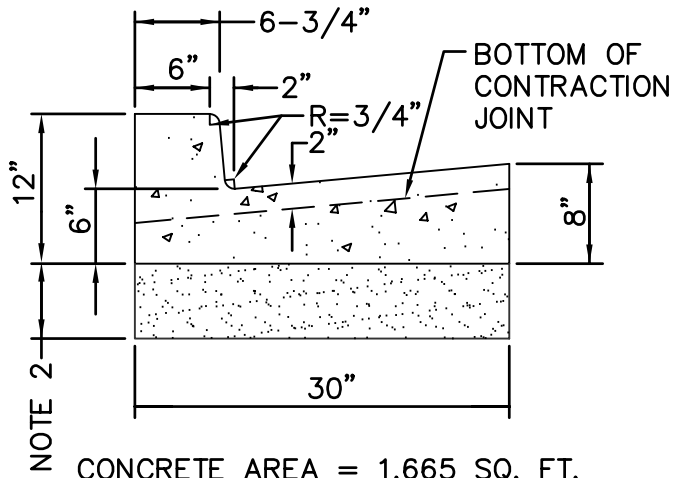
B. UNLESS SHOWN OTHERWISE, PROVIDE 1/2 INCH RADIUS ON CONCRETE EDGES EXPOSED TO PUBLIC VIEW.

4. EXPANSION JOINTS:

A. FULL DEPTH 1/2 INCH THICK TYPE F1 JOINT FILLER MATERIAL PER APWA SECTION 03060. SET TOP OF FILLER FLUSH WITH SURFACE OF CONCRETE.

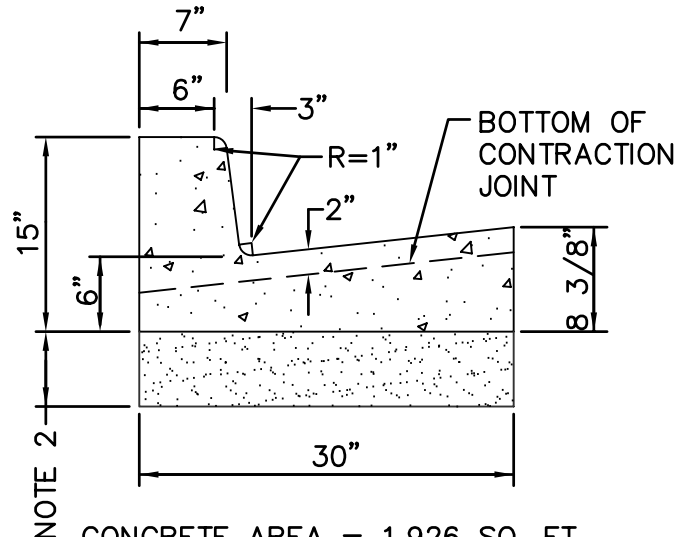
B. EXPANSION JOINTS ARE NOT REQUIRED IN SLIP FORMWORK EXCEPT AT THE START OR END OF THE INSTALLATION ACTIVITY, AND AT THE START OR END OF A STREET INTERSECTION CURB RADIUS RETURN.

5. CONTRACTION JOINTS: MAKE CONTRACTION JOINTS VERTICAL, AT LEAST 1/8 INCH WIDE, AND 2 INCHES DEEP OR 1/4 SLAB THICKNESS IF THE SLAB IS GREATER THAN 8 INCHES THICK. IN LIEU OF 10 FEET HORIZONTAL SPACINGS, MATCH LOCATION OF CONTRACTION JOINTS IN PORTLAND CEMENT CONCRETE ROADWAY PAVEMENTS.



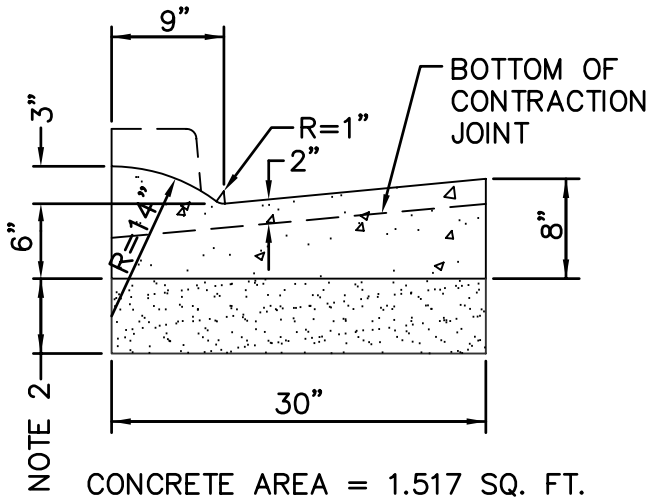
NOTE 2  
CONCRETE AREA = 1.665 SQ. FT.

TYPE A



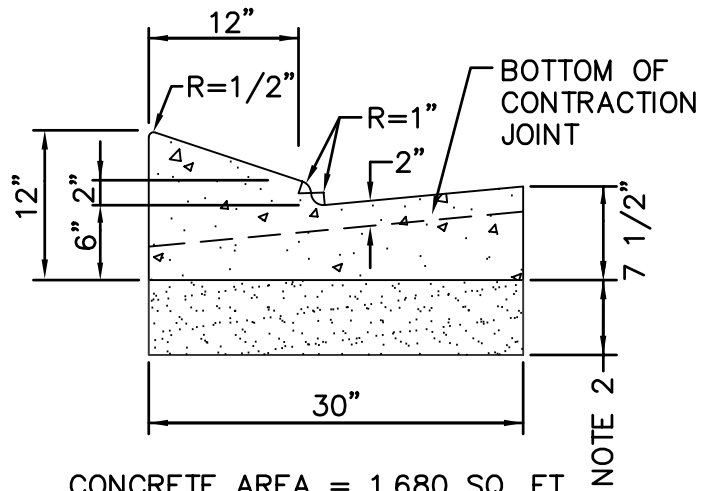
NOTE 2  
CONCRETE AREA = 1.926 SQ. FT.

TYPE B  
(SPECIAL APPROVAL REQUIRED)



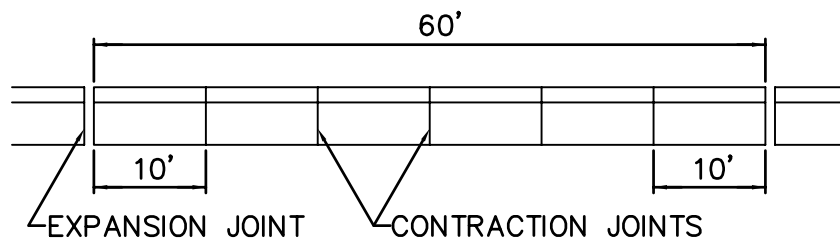
NOTE 2  
CONCRETE AREA = 1.517 SQ. FT.

TYPE C  
(SPECIAL APPROVAL REQUIRED)



NOTE 2  
CONCRETE AREA = 1.680 SQ. FT.

TYPE D  
(SPECIAL APPROVAL REQUIRED)



CURB AND GUTTER JOINT DETAIL

*CURB AND GUTTER*

PLAN NO. 205 SP