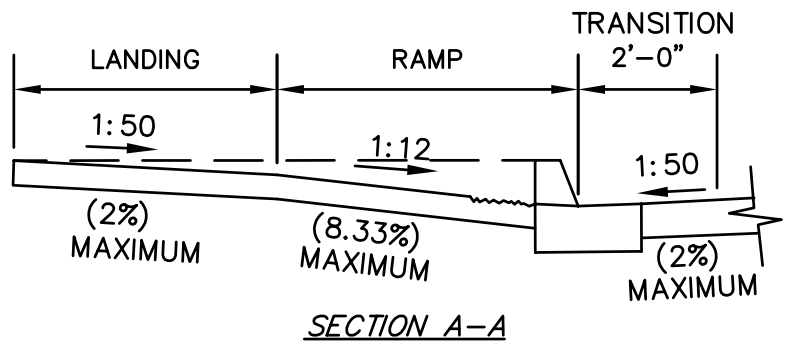
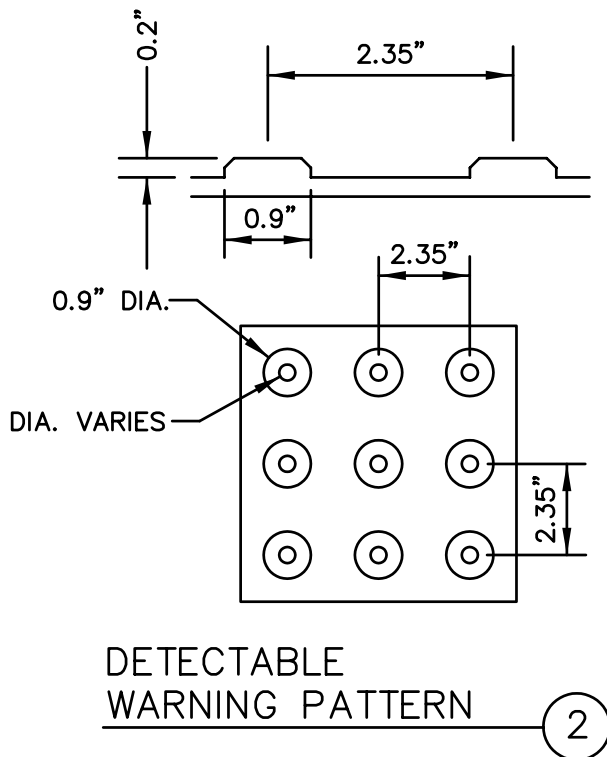
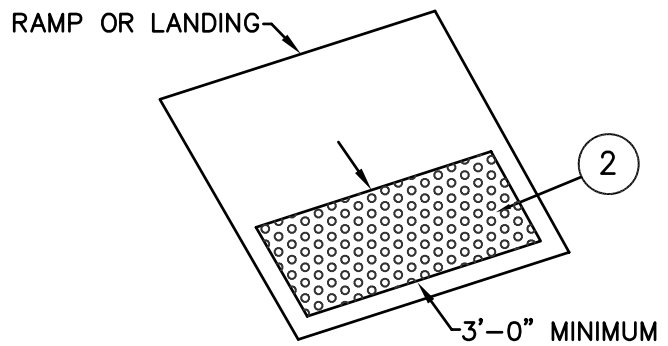
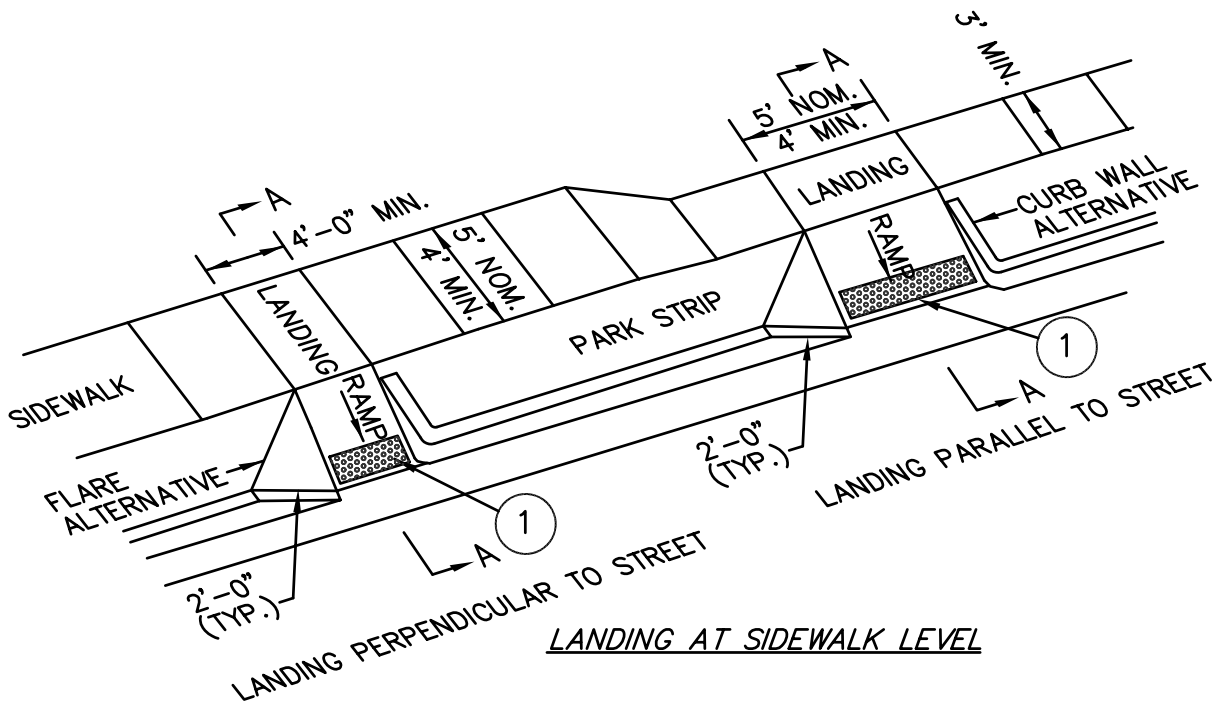


# SIDEWALK RAMP ON BLOCK FACE

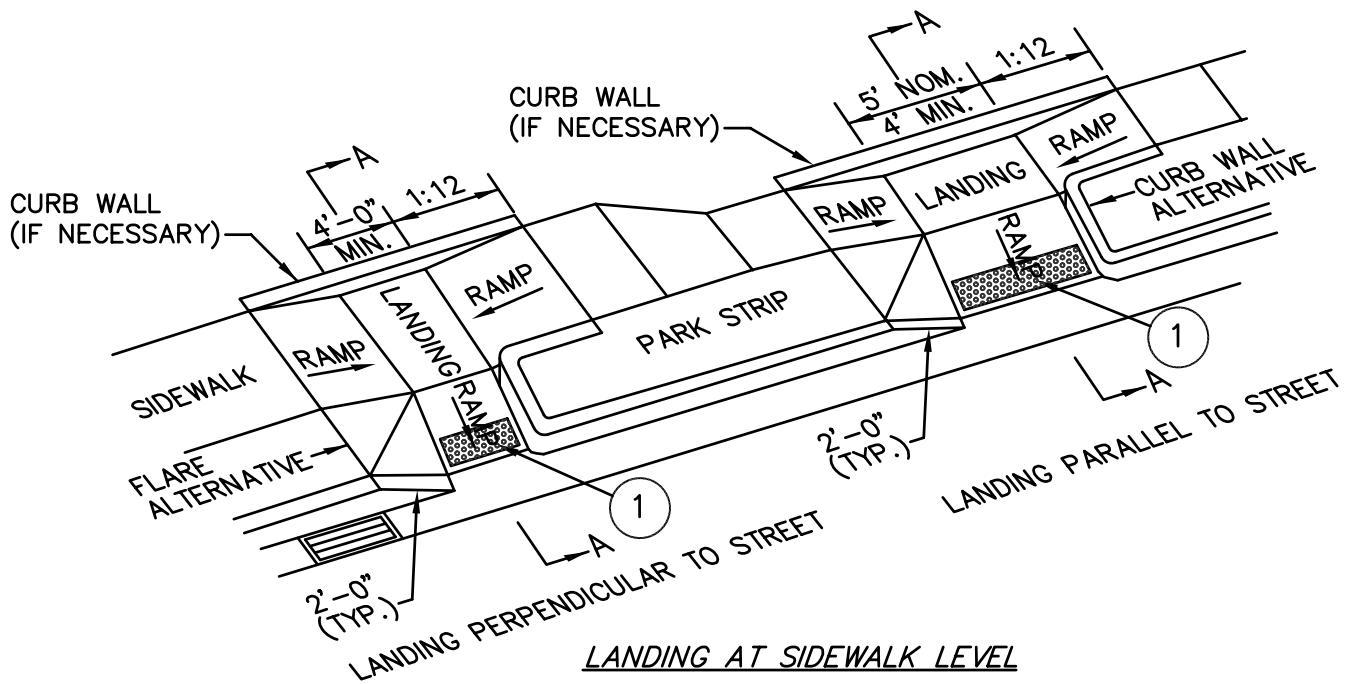
## NOTES:

1. UNTREATED BASE COURSE: PROVIDE MATERIAL SPECIFIED IN APWA SECTION 02060. DO NOT USE GRAVEL OR SEWER ROCK. PLACE PER APWA SECTION 02322. COMPACT PER APWA SECTION 02324 TO A MODIFIED PROCTOR DENSITY OF 95% OR GREATER. MAXIMUM LIFT THICKNESS IS 8" BEFORE COMPACTION.
2. CONCRETE: CLASS 4000 PER APWA SECTION 03304. PLACE PER APWA SECTION 02772. CURE PER APWA SECTION 03390.
  - A. IF NECESSARY PROVIDE CONCRETE THAT ACHIEVES DESIGN STRENGTH IN LESS THAN 7 DAYS. USE CAUTION, HOWEVER, AS SPIDER CRACKS DEVELOP IF AIR TEMPERATURE EXCEEDS 90°F.
  - B. UNLESS SHOWN OTHERWISE, PROVIDE 1/2" RADIUS ON CONCRETE EDGES EXPOSED TO PUBLIC VIEW.
3. EXPANSION JOINTS: FULL DEPTH 1/2" THICK TYPE F1 JOINT FILLER MATERIAL PER APWA SECTION 03060. SET TOP OF FILLER FLUSH WITH SURFACE OF CONCRETE.
4. CONTRACTION JOINTS: MAKE CONTRACTION JOINTS VERTICAL.
  - A. MAKE JOINTS AT LEAST 1/8" WIDE AND 1" DEEP OR 1/4 SLAB THICKNESS IF THE SLAB IS GREATER THAN 4" THICK.
  - B. PROVIDE 1/2" RADIUS TOOLED TOP.
  - C. MAXIMUM LENGTH TO WIDTH RATIO FOR NON-SQUARE PANELS IS 1.5 TO 1.
  - D. MAXIMUM PANEL LENGTH IS 15'.
5. THE APPROVED PRODUCTS FOR THE TRUNCATED DOME DETECTABLE WARNING SURFACE ARE:  
BLACK DOGFACE ARCIS TACTILE PANELS AND  
DARK GREY ARMOR-TILE CAST-IN-PLACE SYSTEM

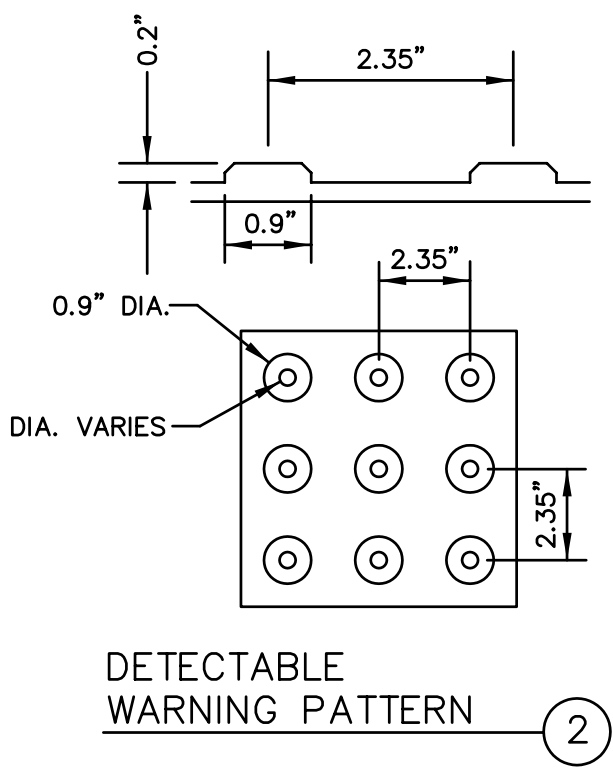
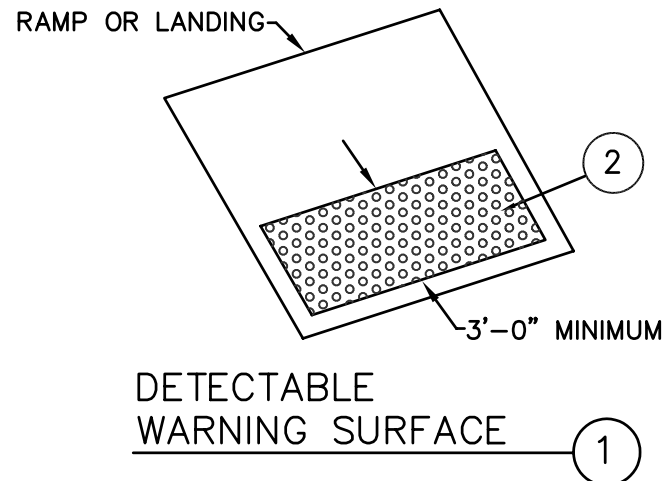


SIDEWALK RAMP ON BLOCK FACE

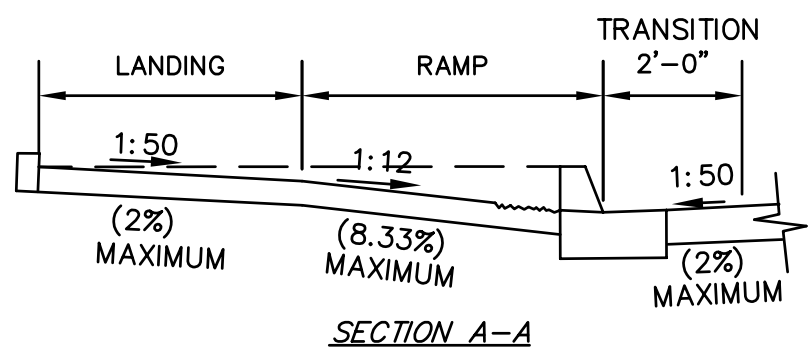
PLAN NO. 236 SP



LANDING AT SIDEWALK LEVEL



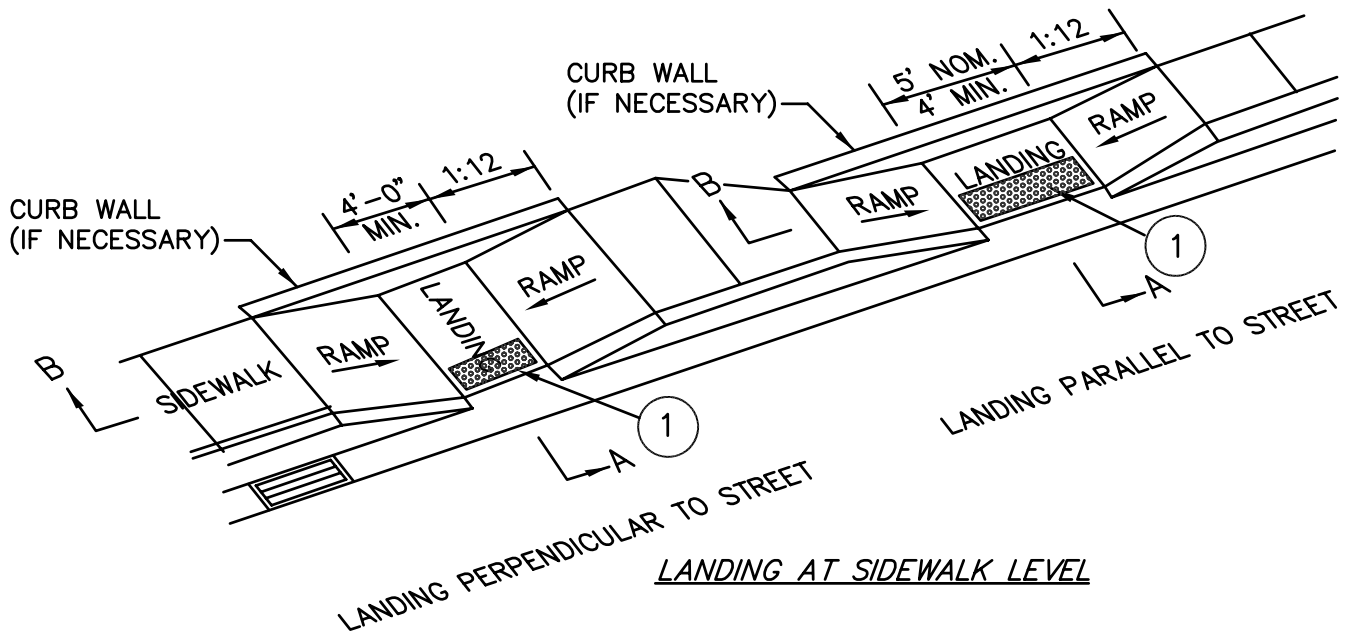
DETECTABLE WARNING PATTERN ②



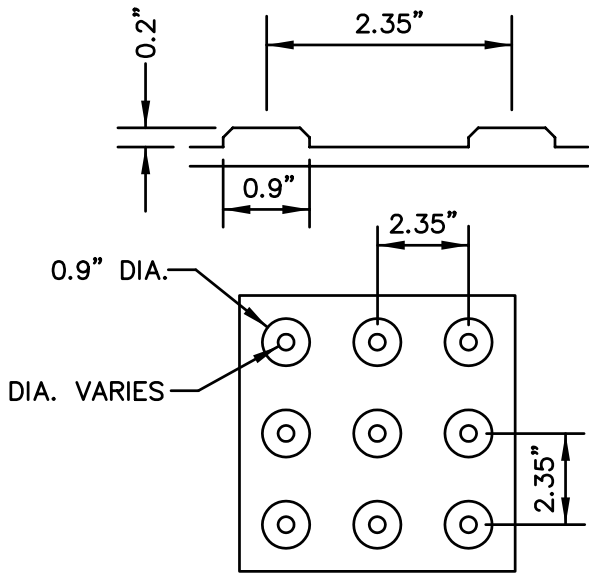
SECTION A-A

*SIDEWALK RAMP ON BLOCK FACE*

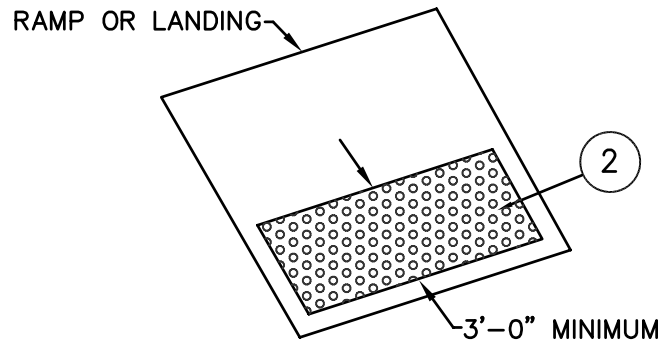
PLAN NO. 236 SP  
DRAWING 2 OF 3



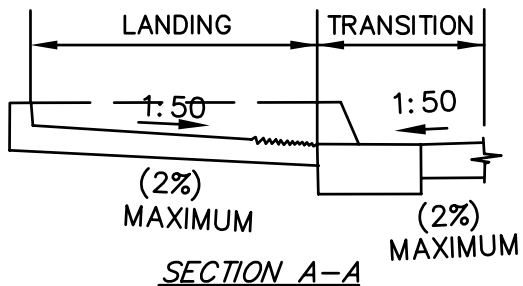
LANDING AT SIDEWALK LEVEL



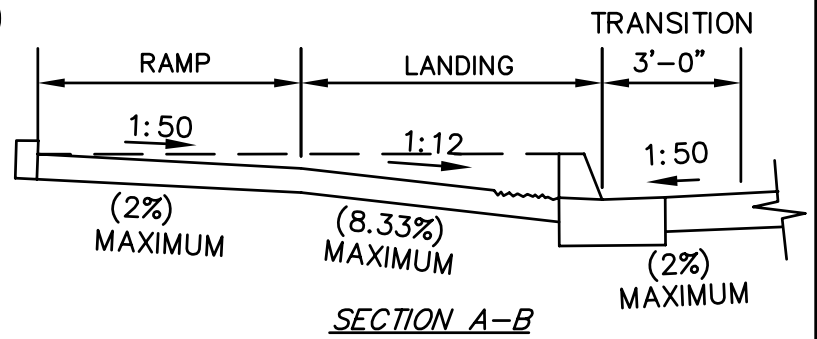
DETECTABLE WARNING PATTERN ②



DETECTABLE WARNING SURFACE ①



SECTION A-A



SECTION A-B

*SIDEWALK RAMP ON BLOCK FACE*

PLAN NO. 236 SP  
DRAWING 3 OF 3