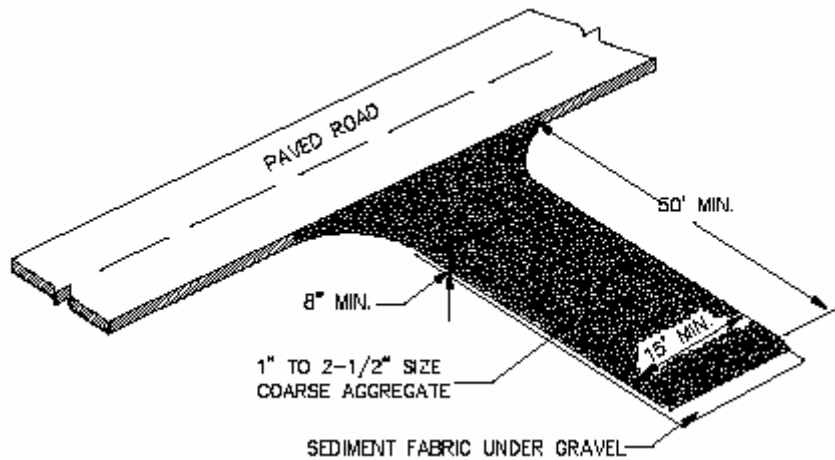


**917 BMP: Stabilized Construction Entrance**



**DESCRIPTION:**

A stabilized pad of crushed stone located where construction traffic enters or leaves the site from or to paved surface.

**APPLICATIONS:**

At any point of ingress or egress at a construction site where adjacent traveled way is paved. Generally applies to sites over 2 acres unless special conditions exist.

**INSTALLATION/APPLICATION CRITERIA:**

- Clear and grub area and grade to provide maximum slope of 2%.
- Compact subgrade and place filter fabric if desired (recommended for entrances to remain for more than 3 months).
- Place coarse aggregate, 1 to 2-1/2 inches in size, to a minimum depth of 8 inches.

**LIMITATIONS:**

- Requires periodic top dressing with additional stones.
- Should be used in conjunction with street sweeping on adjacent public right-of-way.

**MAINTENANCE:**

- Inspect daily for loss of gravel or sediment buildup.
- Inspect adjacent roadway for sediment deposit and clean by sweeping or shoveling.
- Repair entrance and replace gravel as required to maintain control in good working condition.
- Expand stabilized area as required to accommodate traffic and prevent erosion at driveways

**OBJECTIVES**

- Housekeeping Practices
- Contain Waste
- Minimize Disturbed Areas
- Stabilize Disturbed Areas
- Protect Slopes/Channels
- Control Site Perimeter
- Control Internal Erosion



**TARGETED POLLUTANTS**

- Sediment
- Nutrients
- Toxic Materials
- Oil & Grease
- Floatable Materials
- Other Waste

<ul style="list-style-type: none"> <li><input checked="" type="checkbox"/> High Impact</li> <li><input checked="" type="checkbox"/> Medium Impact</li> <li><input type="checkbox"/> Low or Unknown Impact</li> </ul>
--

**IMPLEMENTATION REQUIREMENTS**

- Capital Costs
- O&M Costs
- Maintenance
- Training

<ul style="list-style-type: none"> <li><input checked="" type="checkbox"/> High <input checked="" type="checkbox"/> Medium <input type="checkbox"/> Low</li> </ul>
--